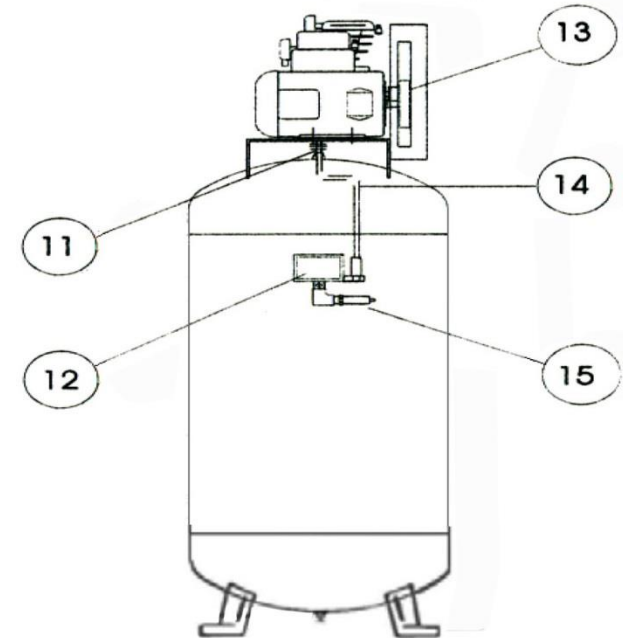
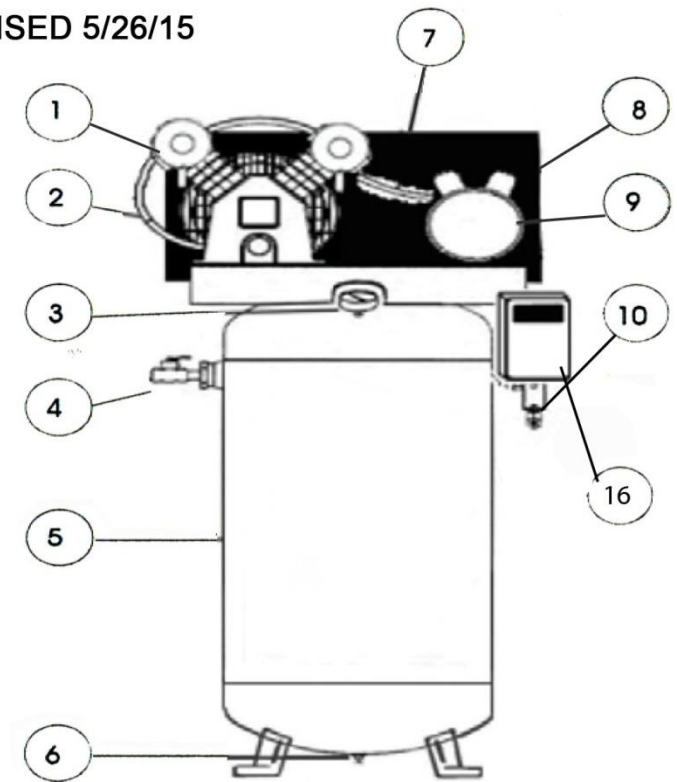


MAXair Premium Air Compressor part breakdown - C7180V1-MS-MAP

Item	Description	C7180V1-MS-MAP
1	Compressor w/ Flywheel	PV05AHP
2	Discharge Tube (2.5ft)	TU-2634-1A Assembly
	Elbow	49-16H
3	Pressure Gauge (Liquid Filled)	PGLF200-2.5BM1/4
4	Outlet Valve (BALL VALVE)	BV3/4MF
5	Air Receiver (TANK)	80VE24X48-4
6	Drain Valve	OSB WO DC Assembly
7	V-Belt	A71 (2)
8	Belt Guard	BG80GAL
9	Motor - 1 Phase, 208/230V (33 amp)	EM07.5-18-10
10	Wiring Harness	12/3-24-C4
11	Check Valve	P1010S-T
12	Pressure Switch	21UCBDB-170
13	Pulley - Motor	2MAL72
	Hub or Bushing	LX13/8
14	Unloader Tube w/ Fittings	TU-1/4-CU
15	Safety Valve	PSV1/4-200
16	Magnetic Starter	1062MS
	Eagle Compressor Oil	EAOIL10

REVISED 5/26/15



C7180V1-MS-MAP

MAXair PREMIUM



Call 1-800-551-2406 for the Customer Service Department.