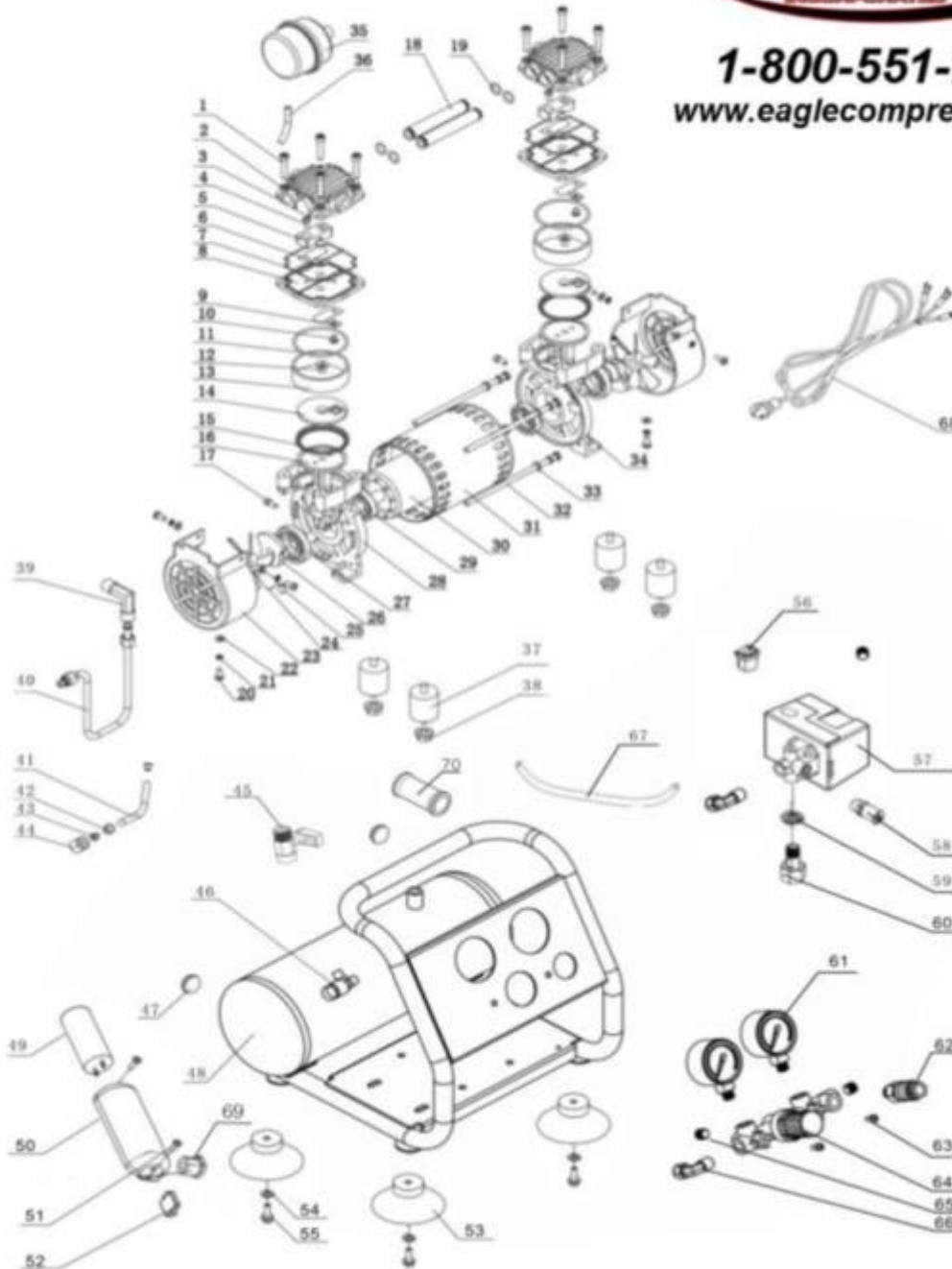


EA-2000



1-800-551-2406
www.eaglecompressor.com



EA-2000 PARTS LIST			
ITEM No.	QTY.	DESCRIPTION	PART NUMBERS
01	8	Head Bolt Screw	EA-2000-001
02	8	Head Bolt Washer	EA-2000-002
03	2	Cylinder Head	EA-2000-003
04	2	Valve Limiter Screw	EA-2000-004
05	2	Valve Limiter	EA-2000-005
06	4	Valve	EA-2000-006
07	2	Head Gasket	EA-2000-007
08	2	Valve Plate	EA-2000-008
09	2	Valve Clamp	EA-2000-009
10	2	Valve Screw	EA-2000-010
11	2	Cylinder to Valve Plate O-Ring	EA-2000-011
12	2	Piston Screw	EA-2000-012
13	2	Cylinder	EA-2000-013
14	2	Piston Cap	EA-2000-014
15	2	Teflon Ring	EA-2000-015
16	2	Connecting Rod	EA-2000-016
17	2	Connecting Rod Screw	EA-2000-017
18	2	Crossover Tube	EA-2000-018
19	4	O-Ring	EA-2000-019
20	6	Fan Guard Screw	EA-2000-020
21	6	Fan Guard Washer	EA-2000-021
22	6	Flat washer	EA-2000-022
23	2	Fan Guard	EA-2000-023
24	2	Fan	EA-2000-024
25	2	Fan Screw	EA-2000-025
26	2	Counter Weight Crank	EA-2000-026
27	2	Bearing	EA-2000-027
28	1	Left Crankcase	EA-2000-028
29	2	Bearing	EA-2000-029
30	1	Motor Rotor	EA-2000-030
31	1	Motor Stator	EA-2000-031
32	4	Through Bolt	EA-2000-032
33	4	Flat washer	EA-2000-033
34	1	Right Crankcase	EA-2000-034
35	1	Air Filter	EA-2000-035
36	1	Filter Pipe	EA-2000-036
37	4	Isolator	EA-2000-037
38	4	Nut	EA-2000-038
39	1	Elbow	EA-2000-039
40	1	Discharge Tube	EA-2000-040
41	1	Unloading Pipe	EA-2000-041
42	1	Ferrel	EA-2000-042
43	2	Lining	EA-2000-043
44	1	Ferrel Nut	EA-2000-044
45	1	Ball Valve	EA-2000-045
46	1	Check Valve	EA-2000-046
47	2	Frame Plug	EA-2000-047
48	1	Tank	EA-2000-048
49	1	Capacitor	EA-2000-049
50	1	Capacitor Cover	EA-2000-050
51	2	Capacitor Cover Screw	EA-2000-051
52	1	Capacitor Rod	EA-2000-052
53	4	Foot	EA-2000-053
54	4	Foot Flat Washer	EA-2000-054
55	4	Foot Bolt	EA-2000-055
56	2	Power Cord Isolator	EA-2000-056
57	1	Pressure Switch	EA-2000-057
58	1	Safety Valve	EA-2000-058
59	2	Gasket	EA-2000-059
60	1	Quick Connect Fitting	EA-2000-060
61	2	Pressure Gauge	EA-2000-061
62	1	Quick Connect	EA-2000-062
63	2	Mounting Screw	EA-2000-063
64	1	Regulator	EA-2000-064
65	3	Manifold Plug	EA-2000-065
66	2	Elbow	EA-2000-066
67	1	Nylon Tube	EA-2000-067
68	1	Power Cord	EA-2000-068
69	1	Power Cord Isolator	EA-2000-069
70	1	Grip	EA-2000-070