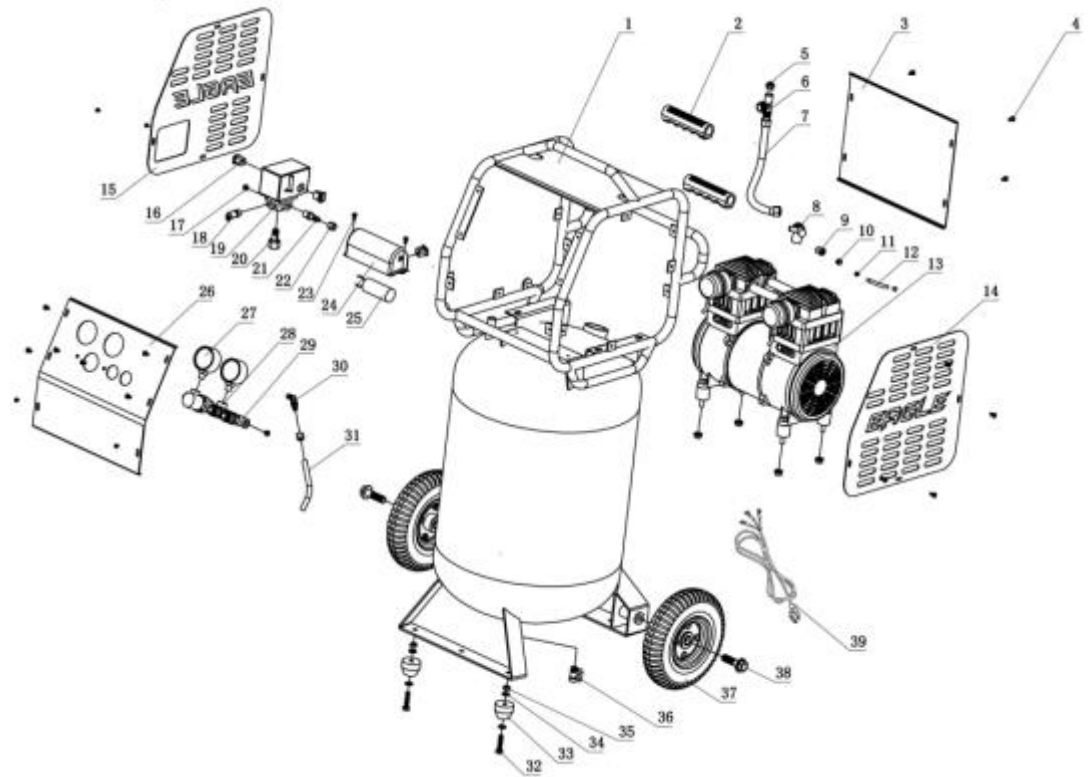


**EA-6500 COMPRESSOR PARTS LIST**

REVISED 8/1/17

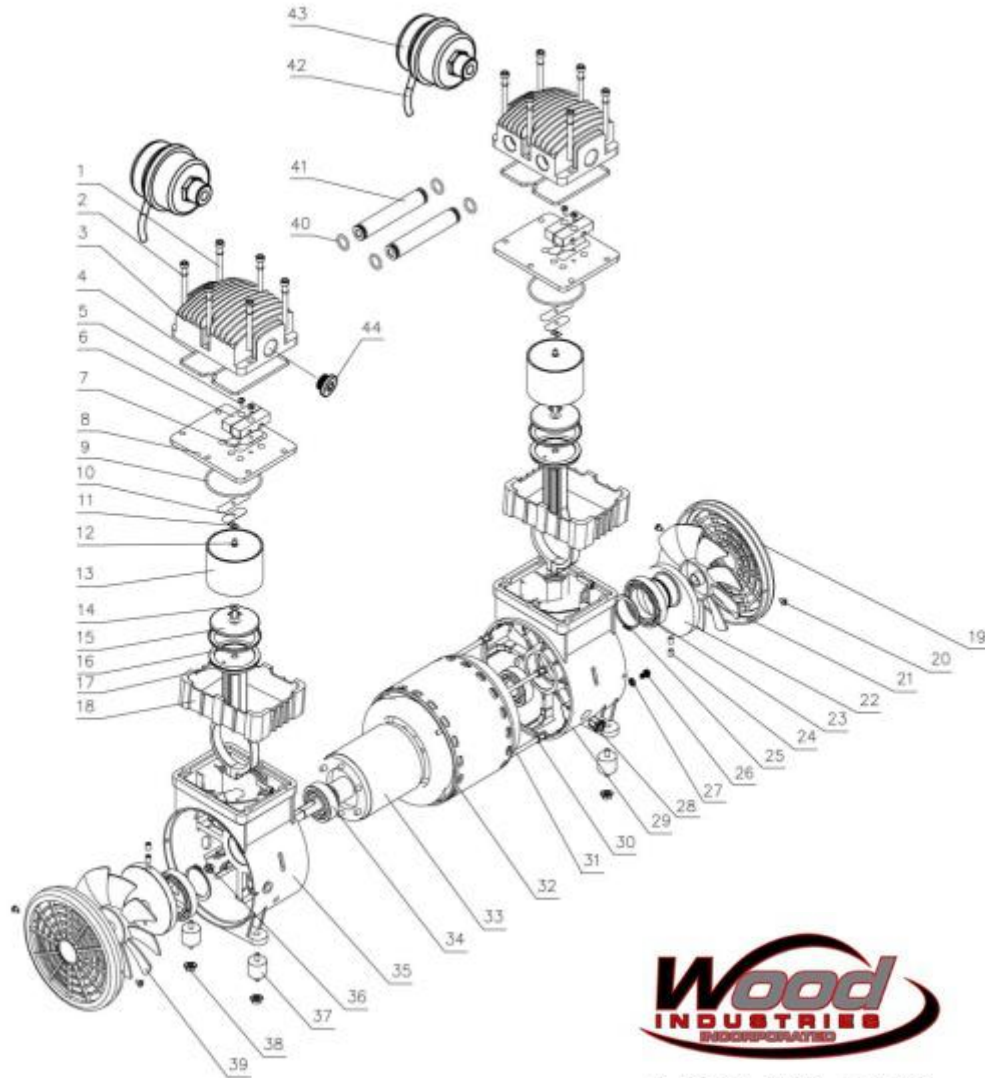
ITEM#	QTY	DESCRIPTION	PART NUMBER
01	1	Tank	EA-6500-001
02	2	Handle Sleeve	EA-6500-002
03	1	Back Panel	EA-6500-003
04	20	Bolt	EA-6500-004
05	1	Soft Starter	EA-6500-005
06	1	Three Way Fitting	EA-6500-006
07	1	Exhaust Tube	EA-6500-007
08	1	Check Valve	EA-6500-008
09	1	Nut	EA-6500-009
10	1	Cutting Sleeve	EA-6500-010
11	2	Tube Insert	EA-6500-011
12	1	Unloading Pipe	EA-6500-012
13	1	Pump	EA-6500-013
14	1	Right side panel	EA-6500-014
15	1	Left side panel	EA-6500-015
16	3	Power Cord Isolator	EA-6500-016
17	2	Manifold Plug	EA-6500-017
18	1	Safty Valve	EA-6500-018
19	1	Pressure Switch	EA-6500-019
20	1	Flexible Joint	EA-6500-020
21	1	Straight Joint	EA-6500-021
22	2	Nut	EA-6500-022
23	2	Capicitor Cover Screw	EA-6500-023
24	1	Capacitor Cover	EA-6500-024
25	1	Capacitor	EA-6500-025
26	1	Front Panel	EA-6500-026
27	2	Pressure Gauge	EA-6500-027
28	2	Quick Connect	EA-6500-028
29	1	Regulator Valve	EA-6500-029
30	1	Elbow	EA-6500-030
31	1	Nylon Tube	EA-6500-031
32	2	Bolt	EA-6500-032
33	2	Foot	EA-6500-033
34	4	Flat Washer	EA-6500-034
35	2	Nut	EA-6500-035
36	1	Ball Valve	EA-6500-036
37	2	Wheel	EA-6500-037
38	2	Wheel Shaft	EA-6500-038
39	1	Power Cord	EA-6500-039



**1-800-551-2406**  
[www.eaglecompressor.com](http://www.eaglecompressor.com)

## EA-6500 PUMP PARTS LIST

ITEM#	QTY	DESCRIPTION	PART NUMBER
01	12	Screw	EA-6500P-001
02	12	Cushion	EA-6500P-002
03	2	Cylinder Head	EA-6500P-003
04	2	Seal	EA-6500P-004
05	4	Screw	EA-6500P-005
06	4	Limit Range Implement	EA-6500P-006
07	6	Valve Block	EA-6500P-007
08	2	Valve Board	EA-6500P-008
09	2	O-Ring	EA-6500P-009
10	4	Valve Block	EA-6500P-010
11	2	Valve plate clamp	EA-6500P-011
12	2	Screw	EA-6500P-012
13	2	Cylinder	EA-6500P-013
14	2	Screw	EA-6500P-014
15	2	Valve Board	EA-6500P-015
16	2	Piston Cup	EA-6500P-016
17	2	Connecting Rod	EA-6500P-017
18	2	Heightening the lining	EA-6500P-018
19	2	Wind Scooper	EA-6500P-019
20	4	Screw	EA-6500P-020
21	1	A Fan	EA-6500P-021
22	2	Crank	EA-6500P-022
23	2	Bearing	EA-6500P-023
24	4	Screw	EA-6500P-024
25	2	circlip for shaft	EA-6500P-025
26	1	Screw	EA-6500P-026
27	1	Serrated Lock Washers Internal Teeth	EA-6500P-027
28	2	Power Cord Buckle	EA-6500P-028
29	1	Right Crankcase	EA-6500P-029
30	4	Cushion	EA-6500P-030
31	4	Bolt	EA-6500P-031
32	1	Motor Stator	EA-6500P-032
33	1	Motor Rator	EA-6500P-033
34	2	Bearing	EA-6500P-034
35	1	Left Crankcase	EA-6500P-035
36	4	Nut	EA-6500P-036
37	4	Shock Pad	EA-6500P-037
38	4	Nut	EA-6500P-038
39	1	B Fan	EA-6500P-039
40	4	O-Ring	EA-6500P-040
41	2	Gas-guide Tube	EA-6500P-041
42	2	Hush Pipe	EA-6500P-042
43	2	Air Filter	EA-6500P-043
44	1	Plug	EA-6500P-044



1-800-551-2406  
www.eaglecompressor.com