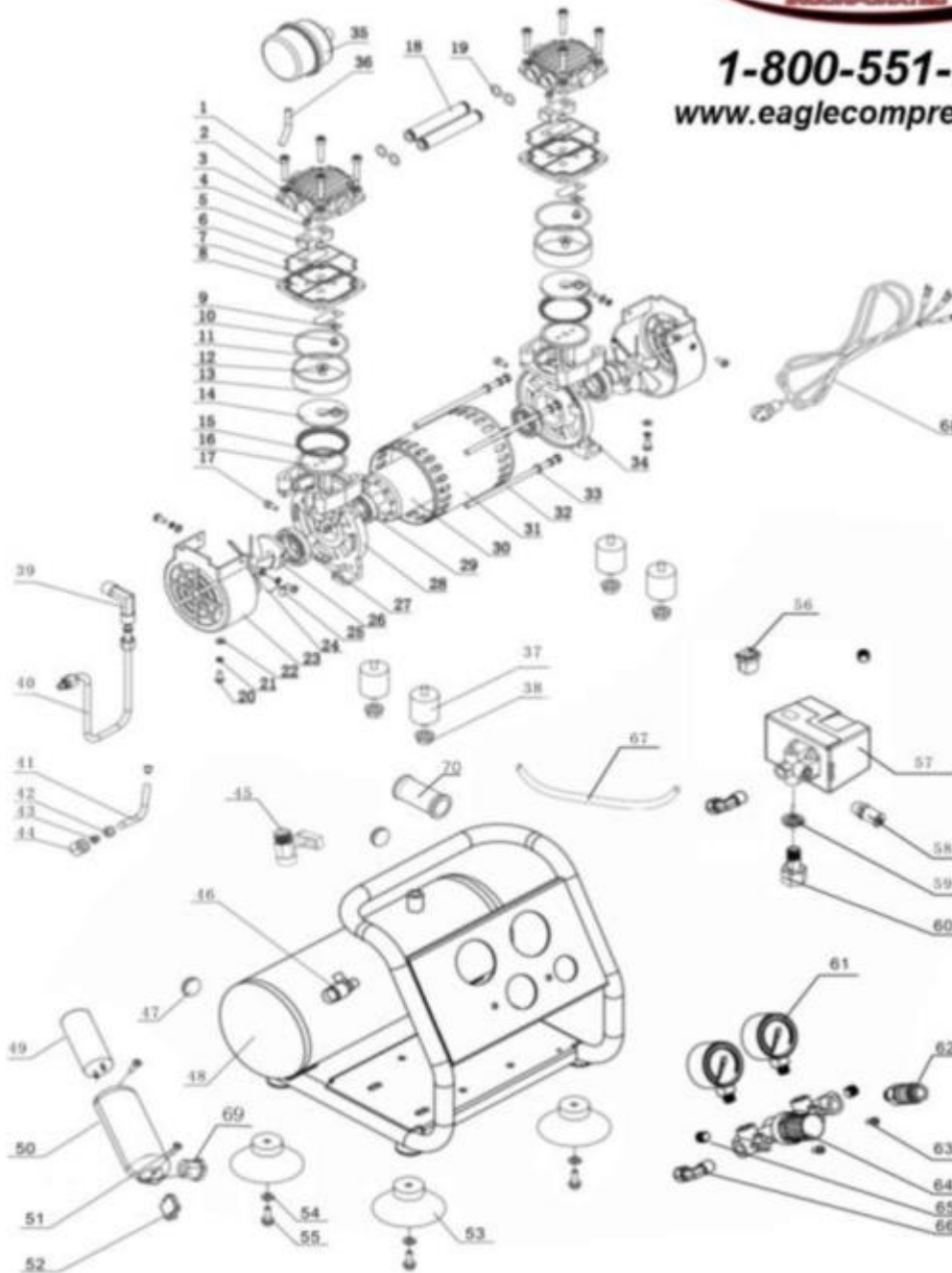


# EA-2000NK2



1-800-551-2406  
www.eaglecompressor.com

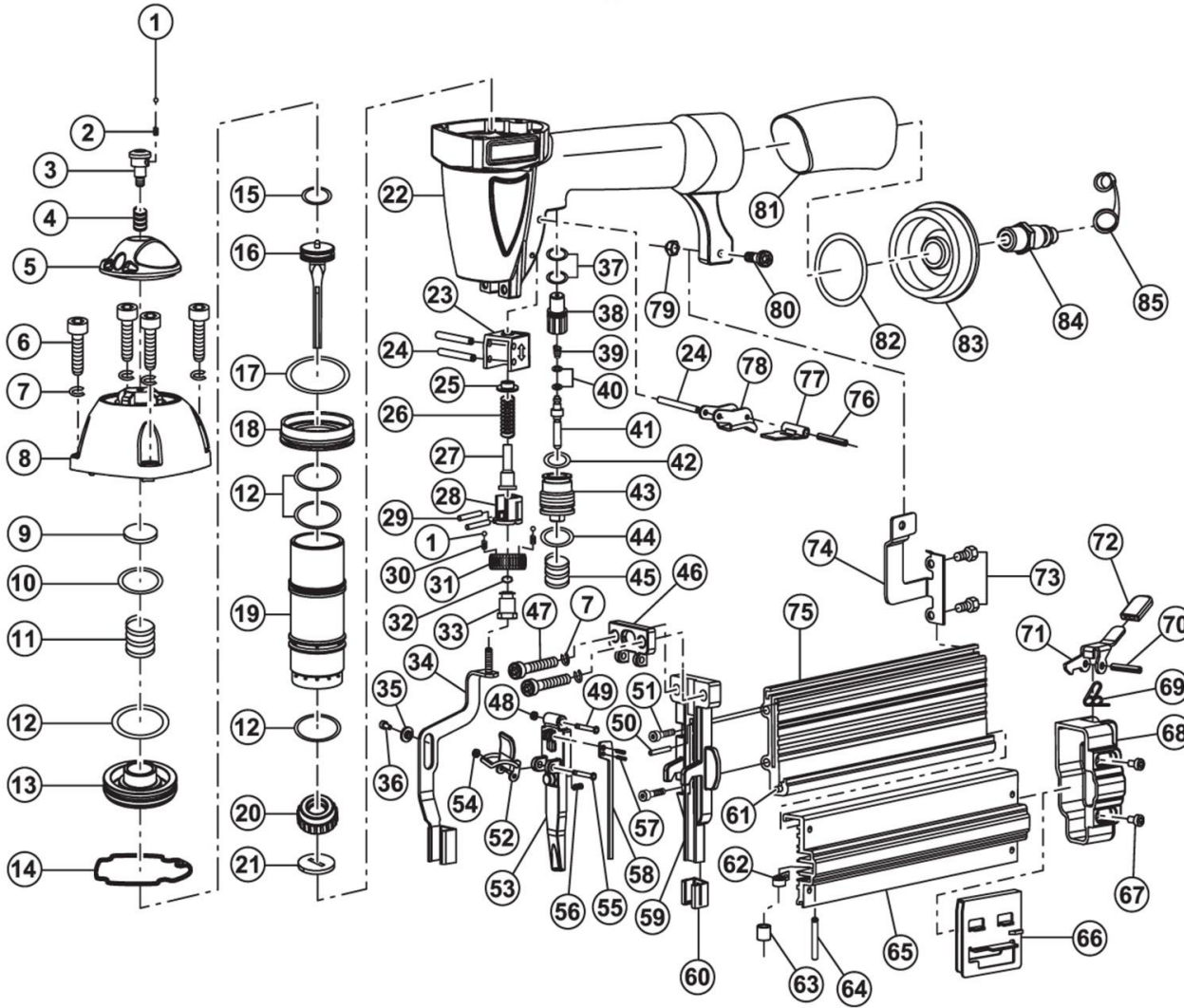


EA-2000 PARTS LIST			
ITEM No.	QTY.	DESCRIPTION	PART NUMBERS
01	8	Head Bolt Screw	EA-2000-001
02	8	Head Bolt Washer	EA-2000-002
03	2	Cylinder Head	EA-2000-003
04	2	Valve Limiter Screw	EA-2000-004
05	2	Valve Limiter	EA-2000-005
06	4	Valve	EA-2000-006
07	2	Head Gasket	EA-2000-007
08	2	Valve Plate	EA-2000-008
09	2	Valve Clamp	EA-2000-009
10	2	Valve Screw	EA-2000-010
11	2	Cylinder to Valve Plate O-Ring	EA-2000-011
12	2	Piston Screw	EA-2000-012
13	2	Cylinder	EA-2000-013
14	2	Piston Cap	EA-2000-014
15	2	Teflon Ring	EA-2000-015
16	2	Connecting Rod	EA-2000-016
17	2	Connecting Rod Screw	EA-2000-017
18	2	Crossover Tube	EA-2000-018
19	4	O-Ring	EA-2000-019
20	6	Fan Guard Screw	EA-2000-020
21	6	Fan Guard Washer	EA-2000-021
22	6	Flat washer	EA-2000-022
23	2	Fan Guard	EA-2000-023
24	2	Fan	EA-2000-024
25	2	Fan Screw	EA-2000-025
26	2	Counter Weight Crank	EA-2000-026
27	2	Bearing	EA-2000-027
28	1	Left Crankcase	EA-2000-028
29	2	Bearing	EA-2000-029
30	1	Motor Rotor	EA-2000-030
31	1	Motor Stator	EA-2000-031
32	4	Through Bolt	EA-2000-032
33	4	Flat washer	EA-2000-033
34	1	Right Crankcase	EA-2000-034
35	1	Air Filter	EA-2000-035
36	1	Filter Pipe	EA-2000-036
37	4	Isolator	EA-2000-037
38	4	Nut	EA-2000-038
39	1	Elbow	EA-2000-039
40	1	Discharge Tube	EA-2000-040
41	1	Unloading Pipe	EA-2000-041
42	1	Ferrel	EA-2000-042
43	2	Lining	EA-2000-043
44	1	Ferrel Nut	EA-2000-044
45	1	Ball Valve	EA-2000-045
46	1	Check Valve	EA-2000-046
47	2	Frame Plug	EA-2000-047
48	1	Tank	EA-2000-048
49	1	Capacitor	EA-2000-049
50	1	Capacitor Cover	EA-2000-050
51	2	Capacitor Cover Screw	EA-2000-051
52	1	Capacitor Rod	EA-2000-052
53	4	Foot	EA-2000-053
54	4	Foot Flat Washer	EA-2000-054
55	4	Foot Bolt	EA-2000-055
56	2	Power Cord Isolator	EA-2000-056
57	1	Pressure Switch	EA-2000-057
58	1	Safety Valve	EA-2000-058
59	2	Gasket	EA-2000-059
60	1	Quick Connect Fitting	EA-2000-060
61	2	Pressure Gauge	EA-2000-061
62	1	Quick Connect	EA-2000-062
63	2	Mounting Screw	EA-2000-063
64	1	Regulator	EA-2000-064
65	3	Manifold Plug	EA-2000-065
66	2	Elbow	EA-2000-066
67	1	Nylon Tube	EA-2000-067
68	1	Power Cord	EA-2000-068
69	1	Power Cord Isolator	EA-2000-069
70	1	Grip	EA-2000-070



1-800-551-2406  
www.eaglecompressor.com

# EA-NS2



No.	Description	Qty.	No.	Description	Qty.
1	Steel ball	3	42	O-ring 11.2 x 1.6	1
2	Spring	1	43	Valve seat	1
3	Air deflector bolt	1	44	O-ring 11.7 x 2.4	2
4	Air deflector spring	1	45	Trigger spring	2
5	Air deflector	1	46	Fixed plate	1
6	Hex bolt M5 x 20	4	47	Hex bolt M5 X 25	2
7	Washer 5	6	48	Pin case	1
8	Cylinder cover	1	49	Plate pin	1
9	Sealing washer	1	50	Roll pin 1 x 10	1
10	O-ring 17 x 2.65	1	51	Hex bolt M4 x16	2
11	Valve spring	1	52	Switch	1
12	O-ring 33.6 x 2	4	53	Movable plate	1
13	Head valve kit	1	54	O-ring 1.9 x1.2	1
14	Gasket	1	55	Roll pin	1
15	O-ring 24.2 x 3	1	56	Compressed spring	1
16	Piston	1	57	Roll pin 2 x 6	2
17	Sealing ring	1	58	Flexible bar	1
18	Collar	1	59	Drive guide	1
19	Cylinder	1	60	Safety piece	1
20	Bumper	1	61	Steel bar	1
21	Drive guide washer	1	62	Spring	1
22	Gun body	1	63	Roll core	1
23	WCE guide seat	1	64	Pin 3 x 20	1
24	Roll pin 3 x 26	3	65	Movable magazine	1
25	Adjustment washer	1	66	Pusher	1
26	WCE spring	1	67	Hex bolt M4 x 6	2
27	Push stem	1	68	Fixed seat	1
28	Adjustment seat	1	69	Spring	1
29	Pin 1.5 x 82	2			
30	Compressed spring B	2			
31	Adjustable nut	1			
32	Snap ring	1			
33	WCE stem	1			
34	Safety stand	1			
35	Safety guide case	1			
36	Bolt M3 x 8	1			
37	O-ring 7 x 1.5	2			
38	Valve case	1			
39	Spring	1			
40	O-ring 1.9 x 1.1	2			
41	Trigger pin	1			