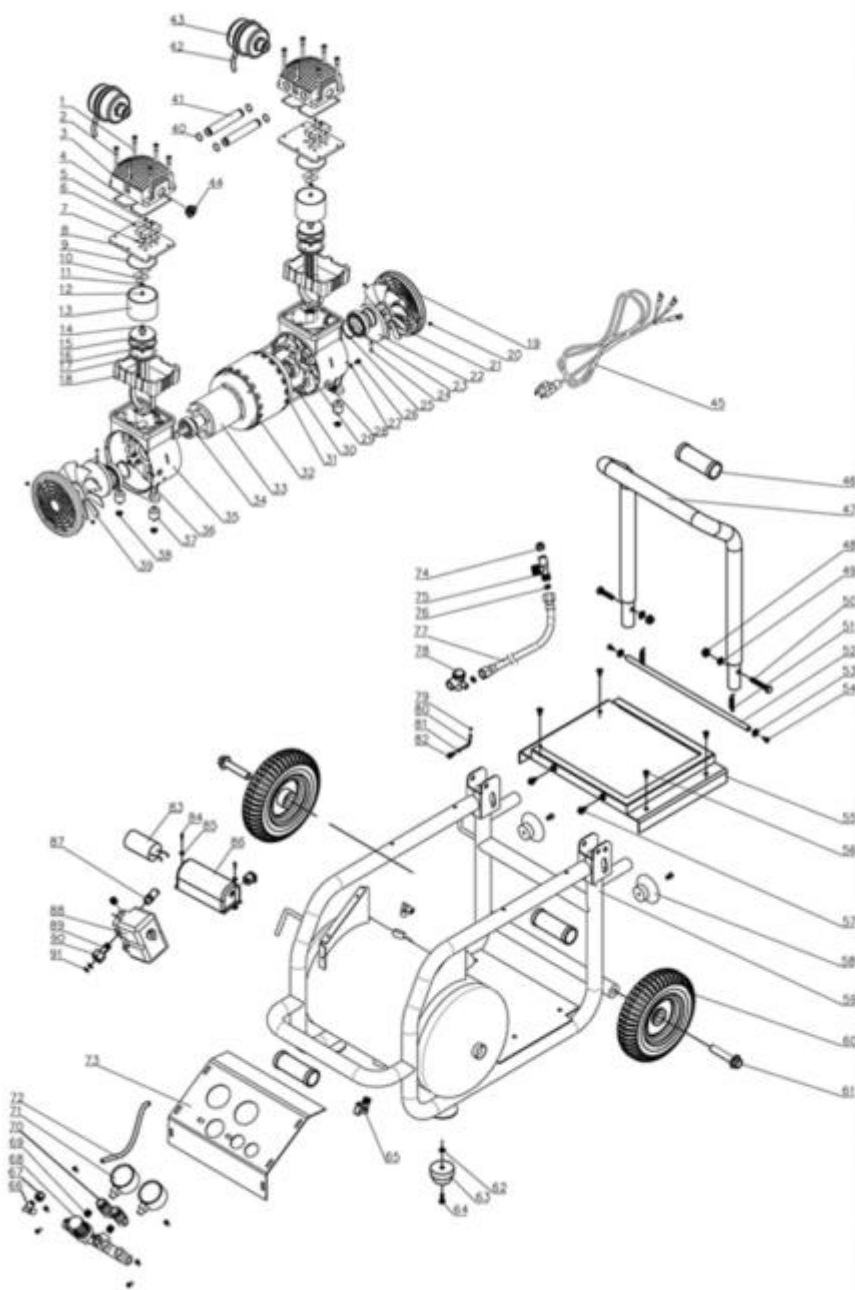


EA-6000



| ITEM # | QTY | DESCRIPTION | PART NUMBERS |
|--------|-----|--------------------------------------|--------------|
| 01 | 12 | Headbolt Screw | EA-6000-001 |
| 02 | 12 | Headbolt Washer | EA-6000-002 |
| 03 | 2 | Cylinder Head | EA-6000-003 |
| 04 | 2 | Head Gasket | EA-6000-004 |
| 05 | 4 | Valve Screw | EA-6000-005 |
| 06 | 4 | Valve Limiter | EA-6000-006 |
| 07 | 6 | Valve | EA-6000-007 |
| 08 | 2 | Valve plate | EA-6000-008 |
| 09 | 2 | O-Ring | EA-6000-009 |
| 10 | 4 | Valve | EA-6000-010 |
| 11 | 2 | Valve Clamp | EA-6000-011 |
| 12 | 2 | Valve Screw | EA-6000-012 |
| 13 | 2 | Cylinder | EA-6000-013 |
| 14 | 2 | Piston Cap Screw | EA-6000-014 |
| 15 | 2 | Piston Cap | EA-6000-015 |
| 16 | 2 | Piston Ring | EA-6000-016 |
| 17 | 2 | Connecting Rod | EA-6000-017 |
| 18 | 2 | Cylinder Extension | EA-6000-018 |
| 19 | 2 | Fan Guard | EA-6000-019 |
| 20 | 4 | Fan Guard Screw | EA-6000-020 |
| 21 | 1 | A Fan | EA-6000-021 |
| 22 | 2 | Crank | EA-6000-022 |
| 23 | 2 | Bearing | EA-6000-023 |
| 24 | 4 | Counter Weight Screw | EA-6000-024 |
| 25 | 2 | Metal Snap O-ring for Shaft | EA-6000-025 |
| 26 | 1 | Screw | EA-6000-026 |
| 27 | 1 | Serrated Lock Washers Internal Teeth | EA-6000-027 |
| 28 | 2 | Power Cord Isolator | EA-6000-028 |
| 29 | 1 | Right Crankcase | EA-6000-029 |
| 30 | 4 | Flat Washer | EA-6000-030 |
| 31 | 4 | Bolt | EA-6000-031 |
| 32 | 1 | Motor Stator | EA-6000-032 |
| 33 | 1 | Motor Rotor | EA-6000-033 |
| 34 | 2 | Bearing | EA-6000-034 |
| 35 | 1 | Left Crankcase | EA-6000-035 |
| 36 | 4 | Nut | EA-6000-036 |
| 37 | 4 | Motor Isolator | EA-6000-037 |
| 38 | 4 | Nut | EA-6000-038 |
| 39 | 1 | B Fan | EA-6000-039 |
| 40 | 4 | O-Ring | EA-6000-040 |
| 41 | 2 | Crossover Tube | EA-6000-041 |
| 42 | 2 | Air Filter Pipe | EA-6000-042 |
| 43 | 2 | Air Filter | EA-6000-043 |
| 44 | 1 | Plug Head | EA-6000-044 |
| 45 | 1 | Power Cord | EA-6000-045 |
| 46 | 3 | Handle Grip | EA-6000-046 |
| 47 | 1 | Handle | EA-6000-047 |
| 48 | 2 | Nut | EA-6000-048 |
| 49 | 2 | Flat washer | EA-6000-049 |
| 50 | 2 | Bolt | EA-6000-050 |
| 51 | 2 | Extension Spring | EA-6000-051 |
| 52 | 1 | Hand Rod | EA-6000-052 |
| 53 | 2 | Flat washer | EA-6000-053 |
| 54 | 10 | Hand Rod Screw | EA-6000-054 |
| 55 | 1 | Tool Plate | EA-6000-055 |
| 56 | 4 | Tool Tray Screw | EA-6000-056 |
| 57 | 4 | Bolt | EA-6000-057 |
| 58 | 2 | Foot | EA-6000-058 |
| 59 | 1 | Tank | EA-6000-059 |
| 60 | 2 | Wheel | EA-6000-060 |
| 61 | 2 | Wheel shaft | EA-6000-061 |
| 62 | 2 | Flat washer | EA-6000-062 |
| 63 | 2 | Foot | EA-6000-063 |
| 64 | 2 | Bolt | EA-6000-064 |
| 65 | 1 | Ball Valve | EA-6000-065 |
| 66 | 2 | Elbow | EA-6000-066 |
| 67 | 2 | Nut | EA-6000-067 |
| 68 | 1 | Regulator Valve | EA-6000-068 |
| 69 | 4 | Manifold Plug | EA-6000-069 |
| 70 | 2 | Quick Connect | EA-6000-070 |
| 71 | 2 | Pressure Gauge | EA-6000-071 |
| 72 | 1 | Nylon Pipe | EA-6000-072 |
| 73 | 1 | Instrument Panel | EA-6000-073 |
| 74 | 1 | Easy Start | EA-6000-074 |

| ITEM # | QTY | DESCRIPTION | PART NUMBERS |
|--------|-----|--------------------|--------------|
| 75 | 1 | Three Way Valve | EA-6000-075 |
| 76 | 2 | Seal cushion | EA-6000-076 |
| 77 | 1 | Exhaust Tube | EA-6000-077 |
| 78 | 1 | Check Valve | EA-6000-078 |
| 79 | 2 | Tube Insert | EA-6000-079 |
| 80 | 1 | Unloading Pipe | EA-6000-080 |
| 81 | 1 | Cutting Sleeve | EA-6000-081 |
| 82 | 1 | Nut | EA-6000-082 |
| 83 | 1 | Capacitor | EA-6000-083 |
| 84 | 2 | Screw | EA-6000-084 |
| 85 | 2 | Flat washer | EA-6000-085 |
| 86 | 1 | Capacitor Cover | EA-6000-086 |
| 87 | 1 | Safety Valve | EA-6000-087 |
| 88 | 1 | Pressure Switch | EA-6000-088 |
| 89 | 1 | Flexible Joint | EA-6000-089 |
| 90 | 1 | Flexible Joint Nut | EA-6000-090 |
| 91 | 2 | Gasket | EA-6000-091 |



1-800-551-2406

www.eaglecompressor.com