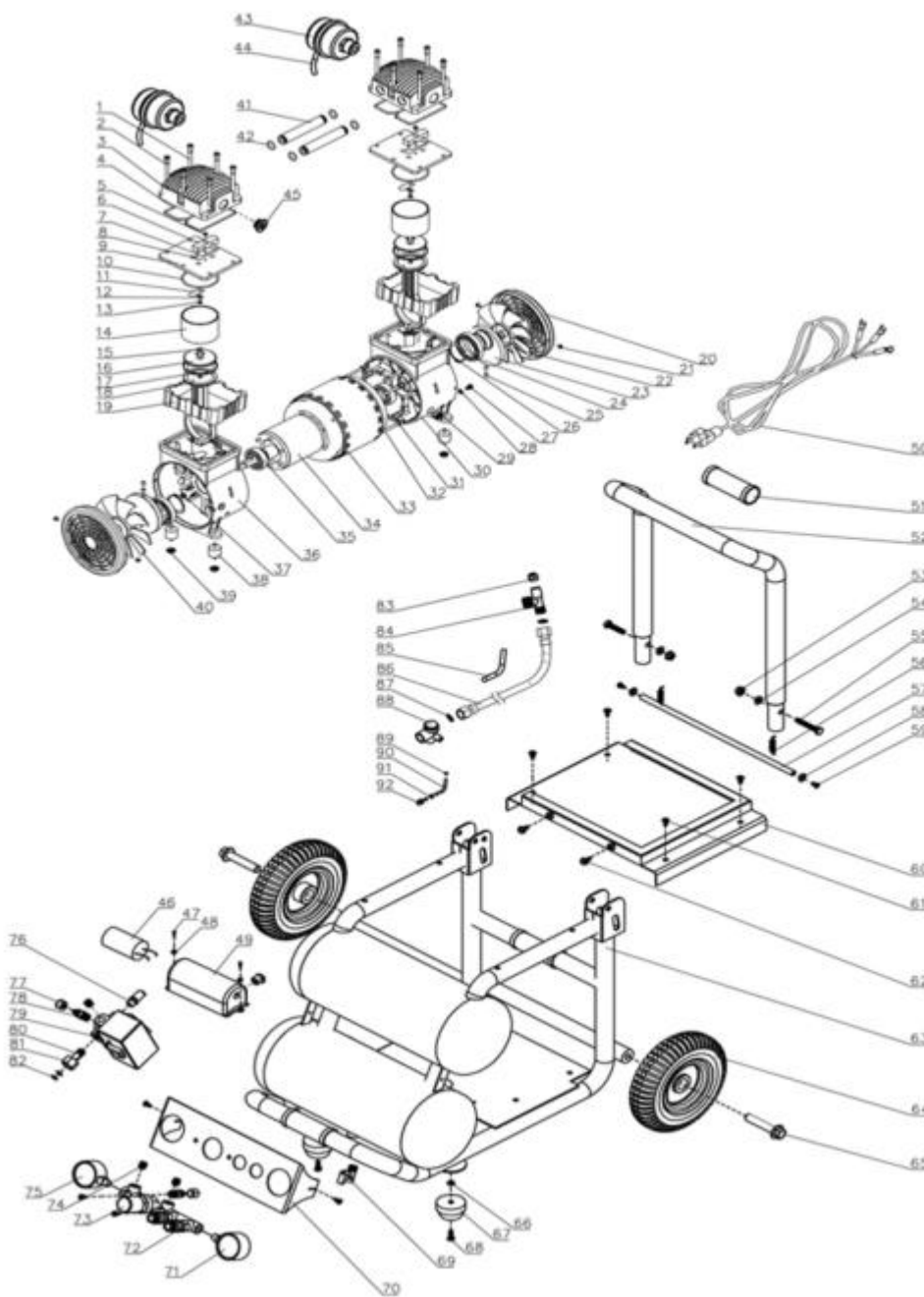


EA-5000



EA-5000 PARTS LIST

ITEM #	QTY	DESCRIPTION	PART NUMBERS
1	12	Head Bolt Screw	EA-5000-001
2	12	Flat Washer	EA-5000-002
3	2	Cylinder Head	EA-5000-003
4	2	Head Gasket	EA-5000-004
5	2	Valve Screw	EA-5000-005
6	2	Valve Limiter	EA-5000-006
7	2	Valve	EA-5000-007
8	2	Valve	EA-5000-008
9	2	Valve Plate	EA-5000-009
10	2	O-Ring	EA-5000-010
11	2	Valve	EA-5000-011
12	2	Valve clamp	EA-5000-012
13	2	Valve Screw	EA-5000-013
14	2	Cylinder	EA-5000-014
15	2	Piston Screw	EA-5000-015
16	2	Piston Cap	EA-5000-016
17	2	Piston Ring	EA-5000-017
18	2	Connecting Rod	EA-5000-018
19	2	Cylinder Extension	EA-5000-019
20	2	Fan Guard	EA-5000-020
21	4	Fan Guard Screw	EA-5000-021
22	1	A Fan	EA-5000-022
23	2	Crank	EA-5000-023
24	2	Bearing	EA-5000-024
25	4	Counter Weight Screw	EA-5000-025
26	2	Metal Snap O-ring for Shaft	EA-5000-026
27	1	Screw	EA-5000-027
28	1	Serrated Lock Washers Internal Teeth	EA-5000-028
29	2	Power Cord Isolator	EA-5000-029
30	1	Right Crankcase	EA-5000-030
31	4	Flat Washer	EA-5000-031
32	4	Thru Bolt	EA-5000-032
33	1	Motor Stator	EA-5000-033
34	1	Motor Rotor	EA-5000-034
35	2	Bearing	EA-5000-035
36	1	Left Crankcase	EA-5000-036
37	4	Nut	EA-5000-037
38	4	Motor Isolator	EA-5000-038
39	4	Nut	EA-5000-039
40	1	B Fan	EA-5000-040
41	2	Cross Over Tube	EA-5000-041
42	4	O-Ring	EA-5000-042
43	2	Air Filter	EA-5000-043
44	2	Air Filter Pipe	EA-5000-044
45	1	Head Plug	EA-5000-045
46	1	Capacitor	EA-5000-046
47	2	Capacitor Cover Screw	EA-5000-047
48	2	Flat washer	EA-5000-048
49	1	Capacitor Cover	EA-5000-049
50	1	Power Cord	EA-5000-050
51	3	Handle Grip	EA-5000-051
52	1	Handle	EA-5000-052
53	2	Nut	EA-5000-053
54	2	Flat washer	EA-5000-054
55	2	Bolt	EA-5000-055
56	2	Extension Spring	EA-5000-056
57	1	Hand Rod	EA-5000-057
58	2	Flat washer	EA-5000-058
59	8	Hand Rod Screw	EA-5000-059
60	1	Tool Plate	EA-5000-060
61	4	Tool Tray Screw	EA-5000-061
62	2	Bolt	EA-5000-062
63	1	Tank	EA-5000-063
64	2	Wheel	EA-5000-064

ITEM #	QTY	DESCRIPTION	PART NUMBERS
65	2	Wheel shaft	EA-5000-065
66	2	Flat washer	EA-5000-066
67	2	Foot	EA-5000-067
68	2	Bolt	EA-5000-068
69	1	Ball Valve	EA-5000-069
70	1	instrument panel	EA-5000-070
71	1	Pressure Gauge	EA-5000-071
72	2	Quick Connect	EA-5000-072
73	1	Regulator Valve	EA-5000-073
74	3	Screw	EA-5000-074
75	1	Pressure Gauge	EA-5000-075
76	1	Safety Valve	EA-5000-076
77	2	Nut	EA-5000-077
78	2	straight joint	EA-5000-078
79	1	Pressure Switch	EA-5000-079
80	1	Flexible Joint	EA-5000-080
81	1	Flexible Joint Nut	EA-5000-081
82	2	Gasket	EA-5000-082
83	1	Easy Start	EA-5000-083
84	1	Three-way valve	EA-5000-084
85	1	Nylon Pipe	EA-5000-085
86	1	Exhaust Tube	EA-5000-086
87	2	Seal cushion	EA-5000-087
88	1	Check Valve	EA-5000-088
89	2	Tube Insert	EA-5000-089
90	1	Unloading Pipe	EA-5000-090
91	1	Ferrel Sleeve	EA-5000-091
92	1	Ferrel Nut	EA-5000-092



1-800-551-2406
www.eaglecompressor.com