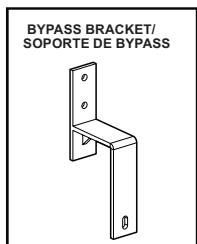


INSTALLATION GUIDE / GUÍA DE INSTALACIÓN BYPASS HARDWARE KIT / KIT DE HERRAJES DE BYPASS

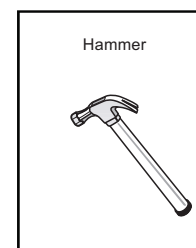
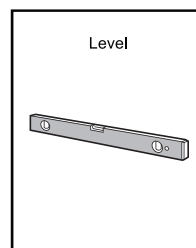
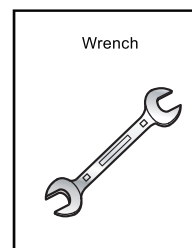
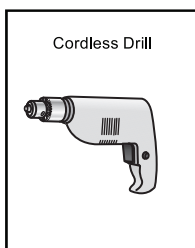
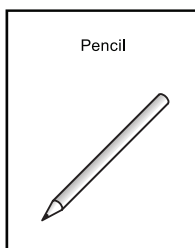
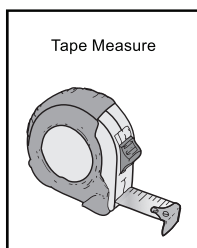
BDBYPASS

78(3/4)-Use 5 Brackets / 96-Use 6 Brackets

Parts list



Tools Required



A bypass configuration provides solutions for wider opening widths and offers barn door functionality/flexibility when a single door or with bi-parting doors options are not possible. Carefully plan how your doors will operate on your opening before installing a bypass solution. Note, when installing bypass brackets onto drywall, a secondary piece of wood blocking (sold separately) is required to mount the track mounting hardware above your existing standard track hardware.

DRYWALL INSTALLATION: If installing directly into a non-concrete wall like drywall, do not attempt to install the track solely onto the wall surface as this may not support the weight of the track and mounted door. The track must be installed onto a piece of solid wood blocking that has been secured using mounting screws into the wall studs. Use a stud finder where necessary to locate studs and secure safely above your opening in the correct location. Once secured safely, the wood blocking will support the track by fastening each track mounting screw with anchor into both the wood blocking onto the wall.

CONCRETE INSTALLATION: If installing into a concrete, secure directly using the track mounting carriage bolts. Note, the wood blocking will not be required for this installation.



**LIBERTY
BUILDING
PRODUCTS**

INSTALLATION GUIDE / GUÍA DE INSTALACIÓN BYPASS HARDWARE KIT / KIT DE HERRAJES DE BYPASS

1. To install the bypass brackets, measure 5-5/8" from the centre of your existing installed track to the lower hole of a bracket on the second wood blocking, ensuring the bracket is centred. Draw two lines across the wood blocking as a guide for the remaining brackets (**Figure 1**).

Position the bracket along both lines parallel to the holes on the track and mark the holes (**Figure 2**)
Secure the second wood blocking into the wall (mounting screws sold separately).

Drill 3/8" holes where the brackets will be installed and install each drywall anchor into both blocking and drywall using a hammer (**Figure 3**).

When installing into drywall, use the Drywall Bracket Screws and Anchors provided. Secure using a socket / wrench, inserting any washers. With brackets in place, apply the additional track, each of the Bolts and Nuts with Wall Spacers. For 96" Track, an additional Bracket with mounting hardware is required.

Depending on your bypass door operation, you may need to insert the Left and Right Stoppers before securing the outside brackets (**Figure 4**).

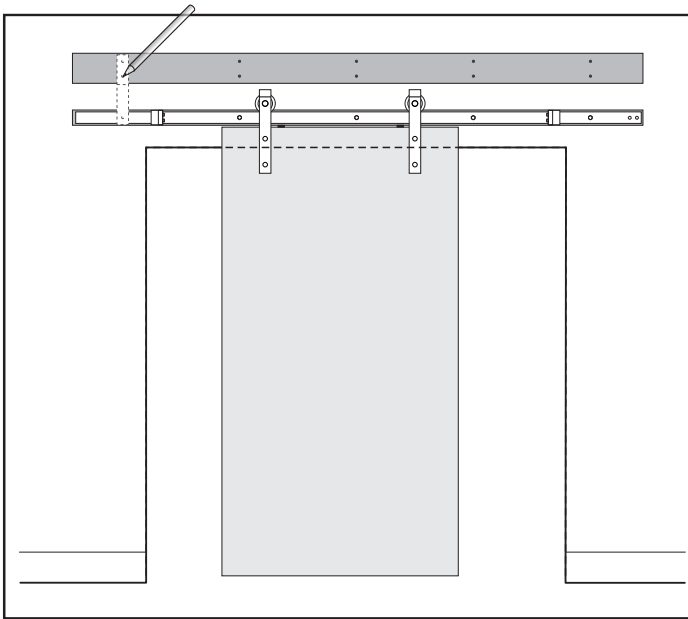


Figure 1

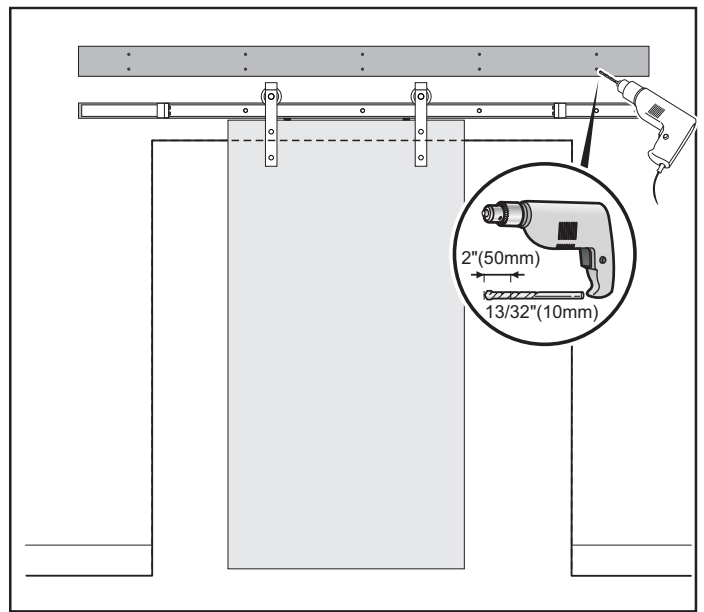


Figure 2

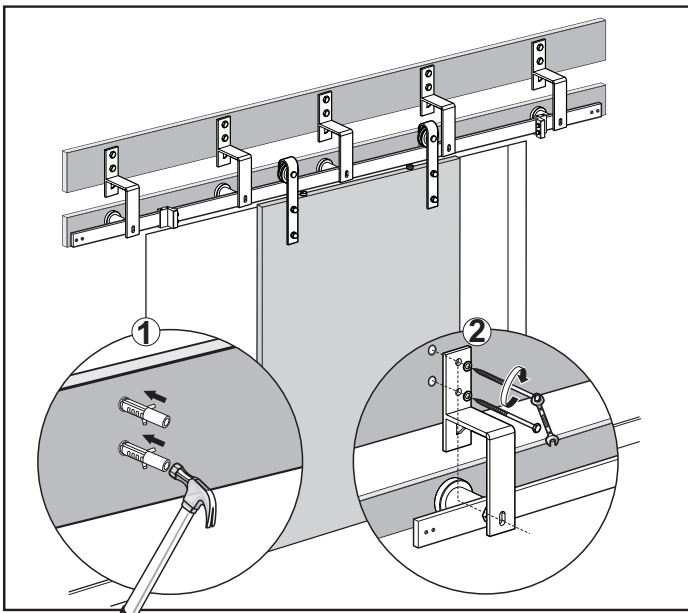


Figure 3

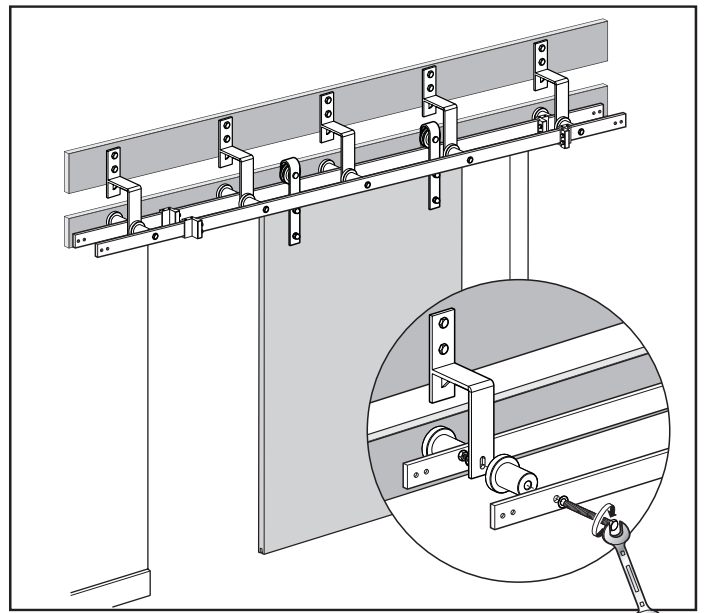


Figure 2

INSTALLATION GUIDE / GUÍA DE INSTALACIÓN

BYPASS HARDWARE KIT / KIT DE HERRAJES DE BYPASS

2.A Bypass configuration provides specific solutions. Carefully plan how your doors will operate on your opening before installing.

Measure 5-5/8" from the centre of your existing installed track and draw a line(**Figure 5**)

Position a bypass bracket and mark the bottom holes along this line and mark the top holes to determine location for all the brackets (**Figure 6**).

Ensure the track holes are aligned with the installed track. Pre-drill 3/8" holes into the concrete and insert the Carriage Anchors with a hammer(**Figure 7**).

With the Carriage Anchors secured into the wall, secure the Bracket Mounting Bolts using a socket / wrench, inserting any washers. With brackets in place, apply the additional Track, each of the Bolts and Nuts with Wall Spacers. For 96" Track, an additional Bracket with mounting hardware is required.

Depending on your bypass door operation, you may need to insert the Left and Right Stoppers before securing the outside brackets (**Figure 8**).

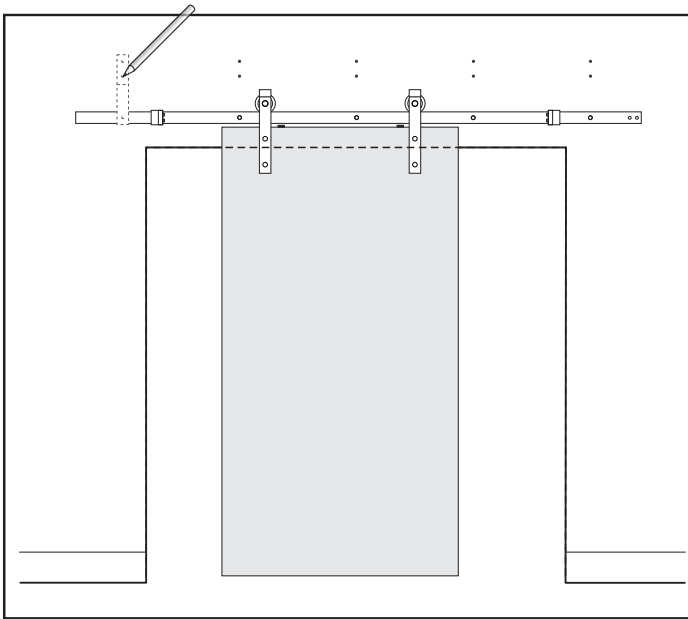


Figure 5

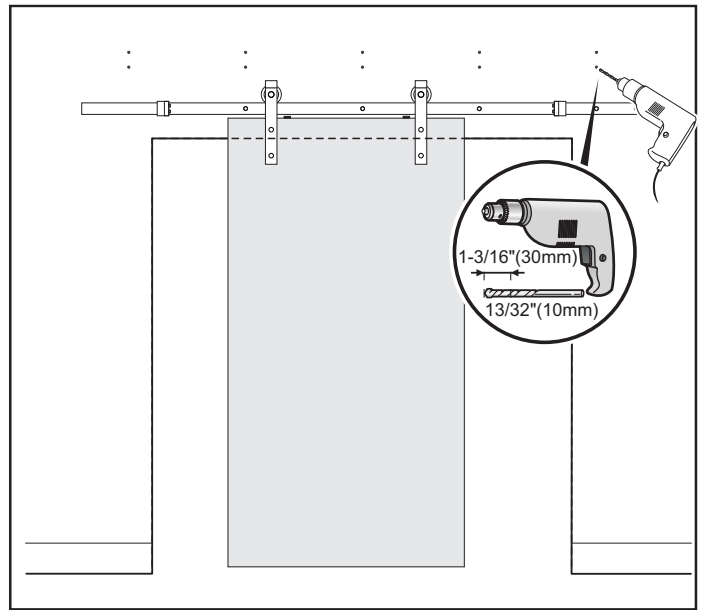


Figure 6

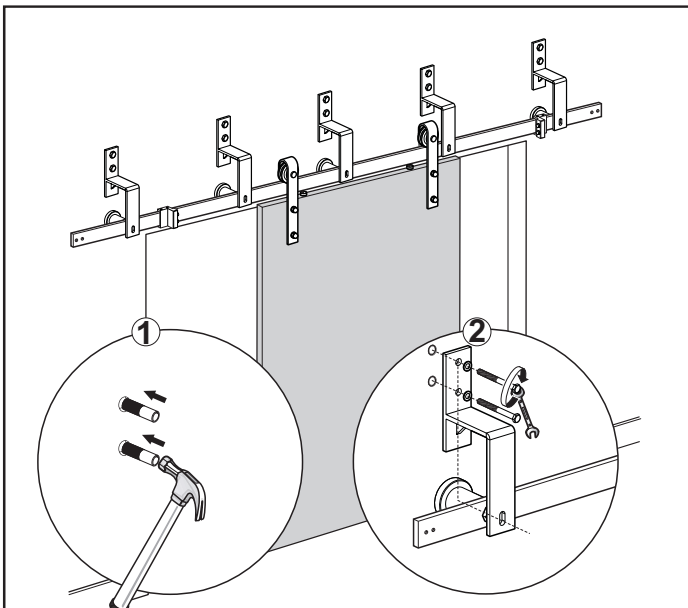


Figure 7

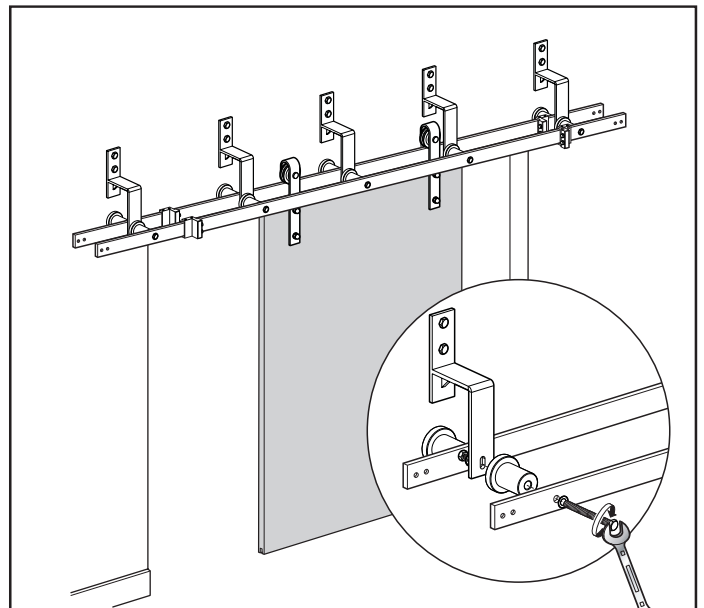


Figure 8