

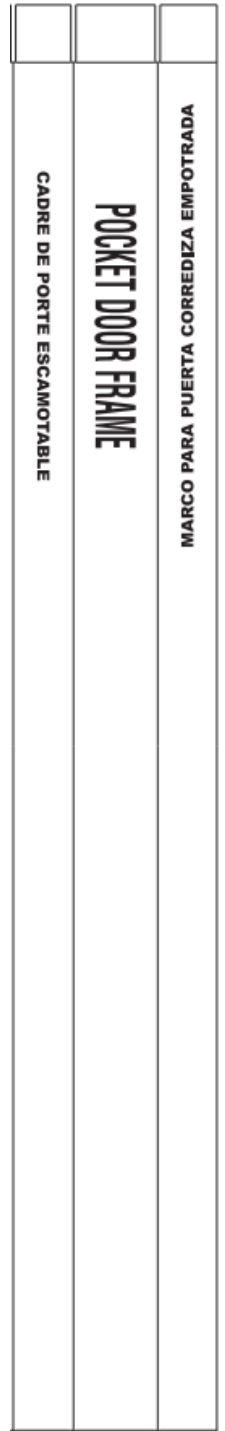


LIBERTY BUILDING PRODUCTS

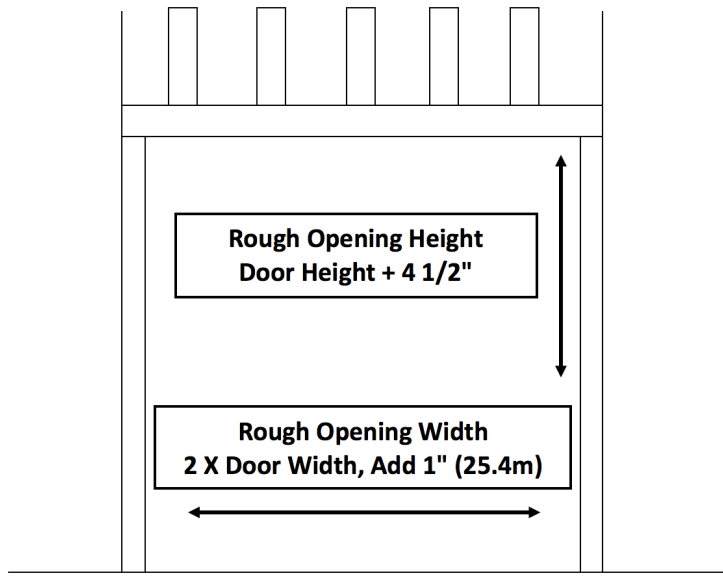


3 WHEEL-200 LB. HANGERS KD UNIVERSAL POCKET DOOR FRAME

- Universally Accepted 3 Wheel Hanger System
- **Standard Upgrade to 200 lb. Hardware**
- Metal Clasp For Engaging the 3 Wheel Hanger
- Smooth and Quiet Ball Bearing Rollers - Lifetime Performance
- Jump Proof Aluminum Track
- Easy to Install & Quick Release Hanger Clips
- Universal Size with Easy to Identify Cut Marks for Sizing
- Standard 6/8, 7/0 & 8/0 Sizes - For 2x4
- 2x6 KD Kits also Available
- Heavy Duty Steel Reinforced Stiffeners
- All Parts Included for Easy Installation
- Accessories Available; 1 3/4" Adapt Kit, Converging Door Kits & Bulk Parts



Frame the Rough Opening



Components

